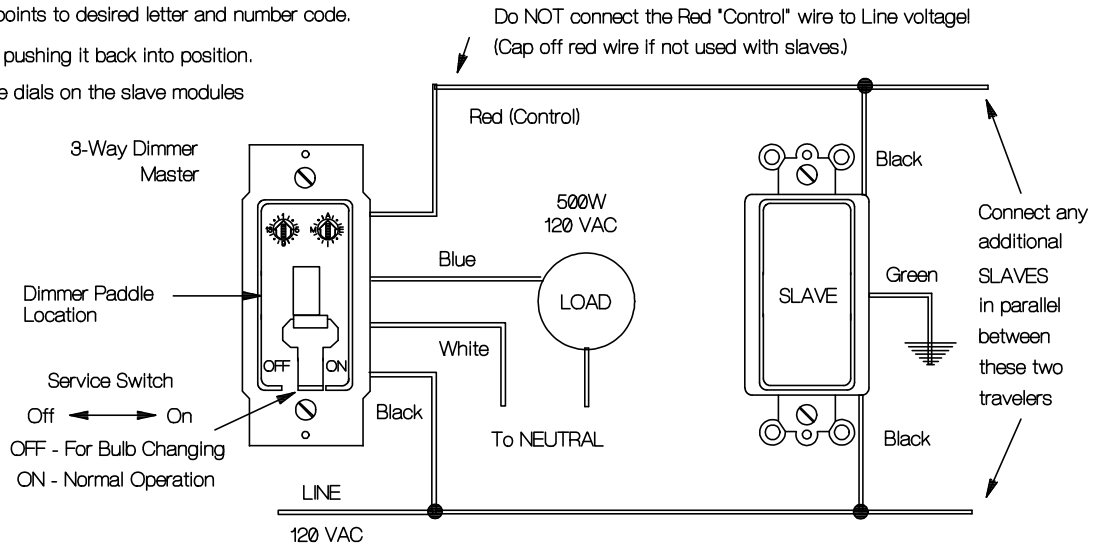


RD160 - RD161

PCC 120 VAC, 500W, 5 A, 3-Way & Single, Incandescent & Inductive Dimmer

Carefully pry up paddle to expose address code dials.
 To set address codes, insert small screwdriver into slot on code dials and turn until arrow points to desired letter and number code.
 Remount paddle by gently pushing it back into position.
 There are no address code dials on the slave modules



BEFORE YOU BEGIN...

READ ALL INSTRUCTIONS

Make sure your installation will conform to all applicable codes and requirements.

TEST FOR SIGNAL STRENGTH AND NOISE...

Using the AR300 and AT300. It is necessary to test the installation in the actual operating environment. The amount and types of line loads may reduce the strength of the transmitted signal and/or electrical noise may cause interference with the transmitted signal. Proper installation may require additional couplers, filters or repeaters. Special coupling devices are required to allow signal to be distributed to all phases and zero-crossings in multi-phase and multi-transformer distributions.

IF YOU HAVE ANY QUESTIONS...

Consult your nearest Engineered Systems Center (ESC) for additional information.

There are no field repairable assemblies on this unit. It is covered by a two year limited warranty. If service is needed, the unit must be returned to the ESC where purchased. Contact your ESC for return details.

INSTALLATION

CAUTION! Make all connections with the **POWER OFF** to avoid injury to the installer or damage to the device.

CAUTION! Carefully determine the 3-way (4-way, etc.) wiring for proper connections. Do NOT connect the Red "Control" lead to the LINE lead. If not used with a slave, cap off the red wire.

CAUTION! Do NOT use this device to control receptacles or fluorescent lights. This incandescent & inductive Wall Switch is intended to control incandescent fixtures up to 500 watts total load, and motor or transformer operated loads of up to 2/3 HP or 500 VA, ONLY.

1. Strip 3/4" of insulation from the ends of the conductors and make connections as shown in the Wiring Diagram.

2. Check connections to be sure they are tight and no bare conductors are exposed.
3. Make sure the load or installation does not exceed the device rating.
4. Install into a standard single or multi-gang electrical wall box. Use a deep box to avoid interference with box fittings and allow room for wiring connections.

Mount the device in the wallbox (with the Service switch on the bottom) and install a cover plate/trim ring (Decora™ or compatible style available through electrical supply vendors).

CHECKOUT

NOTE! The paddle must be mounted with the word “TOP” (marked on the inside) positioned across from the address code dials. The paddle will not function properly if it is mounted upside down.

1. Restore the power.
2. Set the address:

Up to 256 addresses can be selected from this module. The address consists of a Letter Code (A through P) and a Number Code (1 through 16) for Unit address. Set the address code dials as shown in the Wiring Diagram.

3. Test Local Operation:

NOTE! This module is equipped with a Service switch just under the paddle. Because of differences in lighting loads, the light may appear to be off, but still be powered. In the “OFF” position, the Service switch will turn off power to the load, making it safe to replace bulbs.

Be sure the Service switch is in the right or “ON” position. Tap the paddle several times to ensure that the module is turning the controlled load on and off in response to manual control. To check for proper local dimming, keep the paddle pressed down. Leave the load in the on, full bright condition. Now move the Service Switch to the left or “OFF” position. The load should turn off.

NOTE! Leave the Service switch in the “ON” position for normal operation.

4. Test Slave Operation:

Tap the paddle at each AS000/AS001 in the 3-way (4-way, etc.) circuit several times to ensure the module turns the controlled load on and off in response to slave control. To check for proper remote dimming, keep the paddle pressed down.

5. Test Remote Operation:

Using a controller, transmit “OFF”, “ON”, “ALL LIGHTS ON”, “ALL UNITS OFF”, “DIM”, and “BRIGHT” commands to ensure the RD160/RD161 controls the load in response to remote control.

6. Test for Signal Strength and Noise once again using the AR300 and AT300.

7. When using the Cat. No. RD160/RD161 with an inductive load, DO NOT turn off load by dimming to FULL DIM (lowest setting). Doing so will leave a voltage applied to the load which may lead to motor or transformer burn out. Always PRESS & RELEASE the paddle to achieve a FULL OFF.

RATING:
 500 Watts
 120 VAC (+/-10%) 60 Hz

DIMENSIONS:
 A: 4.1 in. (104mm)
 B: 2.6 in. (66mm)
 C: 1.3 in. (33mm)
 D: 1.8 in. (45.5mm)
 E: 1.2 in. (30.5mm)
 F: 0.55 in. (14mm)

