

# NETCOM2 & NETCOM2H

## RS232 TCP/IP CONVERTER



NETCOM2

NETCOM2H

- Keyscan's NETCOM2 is for 10/100 Ethernet/Fast Ethernet applications.
- Keyscan's NETCOM2H is an external version in a housing and C/W power supply.
- Enables Keyscan Access Control Units to be connected and communicate over a network.
- NETCOM2 provides serial connection from the Access Control Unit(s) via 10/100 RJ45 network interface to communicate with the PC.
- Uses static TCP/IP addresses to allow communications over existing LAN or WAN networks.
- Unlimited remote NETCOM2's can be added to a system, offering an enterprise solution.
- NETCOM2 Powered from ACU 12VDC with Battery.
- NETCOM2H powered from provided 12V DC transformer.
- Fast, easy, trouble-free installation to place Access Control Units on a network.

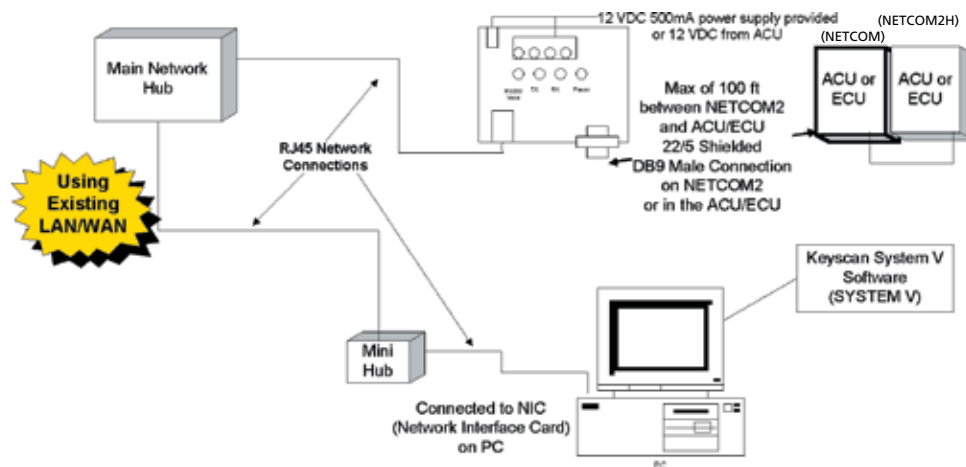
# NETCOM2 & NETCOM2H

## RS232 TCP/IP CONVERTER

### FEATURES AND BENEFITS

- Allows one or more Access Control Units to communicate on a LAN/WAN.
- Fast easy installation for the Access Control Unit (ACU).
- Configuration for the NETCOM2 simplified with Keyscan's software interface.
- Static TCP/IP communication protocol between the PC NIC (Network Interface Card) and Access Control Unit(s) (NETCOM2).
- Requires Static IP addresses for proper operation
- Save Modem Line costs for controlling Remote Locations using existing LAN/WAN's.
- The NETCOM2 can be installed inside the ACU and wired directly to the ACU with the RJ45 Network Connection or located by the Network Hub and be wired up to 100' from the ACU.
- The NETCOM2H comes complete with a housing and power supply for external Network connections.
- Simplifies both installation and maintenance procedures.

### APPLICATIONS



### SPECIFICATIONS

#### NETCOM2 Requirements:

Input power: 10.2 to 32 VDC, 210 mA

NETCOM2 Powered by Access Control Unit

NETCOM2H power supply included

#### Cable Maximums:

ACU/ECU to NETCOM2 – 100 ft (22 AWG 3 pair shielded)

NETCOM2 to PC – Existing LAN or WAN (static TCP/IP Protocol)

**Agency Approvals:** complies with Class B limits of EN 55022:1998

Direct & Indirect ESD - complies with EN55024:1998

#### Dimensions:

3.031" x 3.896" (77mm x 99mm)

With Housing: 3.85" x 4.5" (97.85mm x 114.3mm)

#### Environmental Tolerances:

Suitable for commercial and industrial applications.

Operating Temperature: -20° to 71° C (-4° to 158° F)

Storage Temperature: -20° to 85° C (-4° to 158° F)

#### KEYSCAN INC.

901 Burns Street East

Whitby, Ontario Canada L1N 6A6

Tel: 905.430.7226 Toll Free: 1.888.539.7226 Fax: 905.430.7275

Web: [www.keyscaan.ca](http://www.keyscaan.ca)

Want more information? Contact your local representative at: