

Thermostat

ENERGY CONTROLS • SURGE PROTECTION



CA8900

Digital Thermostat Control



INTERMATIC®  
Providing a brighter solution.™

PROFESSIONAL LIGHTING

WEATHERPROOF

HVAC/R • POOL & SPA



# CA8900

Digital Thermostat Control

InTouch  
Energy Controls

## PRODUCT FEATURES

- Easy energy saving buttons (NORM/SAVE)
- Easy mode switching buttons (HEAT/OFF/COOL)
- Battery back-up with 2 x "AA" batteries (supplied)
- Compatible with all standard 24 Volt systems

## APPLICATIONS

- The InTouch HVAC Heating & Cooling Digital Thermostat Control gives the user even greater energy management capabilities within their InTouch home.
- With CA7100 In-Wall Master Control, set modes to turn down the temperature at bed time and turn the temperature up before you wake in the morning.
- SAVE ENERGY mode offers additional energy saving capabilities.

## SPECIFICATIONS

**Supply:** System Powered ("C" Wire)

**Target Temperature Range:** 35°F (2°C) to 90°F (32°C)

**Display:** Blue Backlit LCD Display

**Color:** White

## NETWORK SPECIFICATIONS

**Minimum Range:** Indoor 50ft

**Frequency:** 908.42 MHz

**Mesh Network:** Each line powered node acts as a repeater to route distant signals.

**Size:** 232 Z-Wave® Nodes

**Agency Approval:**



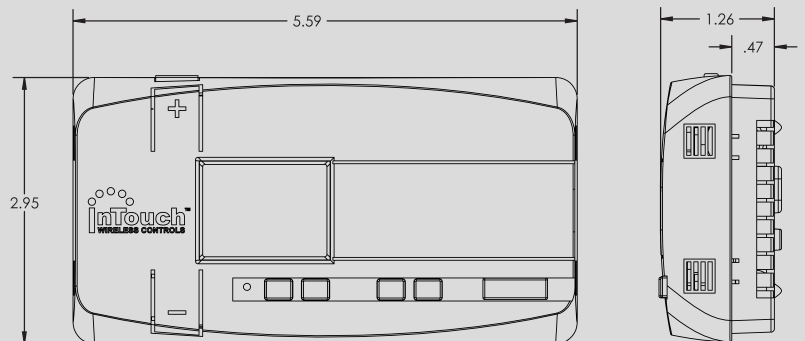
**Intermatic, Inc.**  
7777 Winn Road  
Spring Grove, Illinois 60081-9698

**www.intermatic.com**  
Intermatic Customer Support: 815-675-7002  
(8 a.m. through 4:30 p.m. CST, Monday through Friday)

©2008 Intermatic, Inc.  
Printed in the U.S.A.



## DIMENSIONS



300CA10047