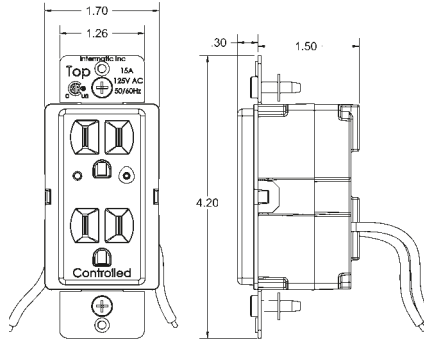


# InTouch™ Wireless Controls

## Model CA3500

Split-Duplex Receptacle



The CA3500 Split-Duplex Receptacle is a Z-Wave™ enabled device which is fully compatible with any Z-Wave enabled network. Z-Wave enabled devices display the Z-Wave logo and guarantee connectivity and interoperability between devices. Each line powered node in a Z-Wave network is designed to act as a repeater forming a mesh network eliminating radio “dead spots” and providing the highest level of reliability.

### APPLICATIONS

- The wall-mounted device features switching of general purpose loads up to 15 amps
- Single controlled receptacle and local load sensing control
- Features interchangeable face plates

### SPECIFICATIONS

**Operating Temperature Range:** 32°F (0°C) to 104°F (40°C)

**Power Consumption:** 2.0W Maximum

**Ratings:** 125VAC, 50/60Hz 15A General Purpose Loads

**Colors:** Includes white, ivory, and light almond snap-on face plates

**Connections:** Black-Line, White-Neutral, Green-Ground

### RF INFORMATION

**Minimum Range:** 50ft indoor; 100ft outdoor

**Frequency:** 908.42 MHz

### NETWORK INFORMATION

**Mesh Network:** Each line powered node acts as a repeater to route distant signals.

**Data Rate:** 9600 bits/second

**Size:** 232 Z-Wave Nodes



### Features

- Multiple location On/Off control of receptacle when used with wireless accessory controls.
- “Local Control” feature senses user need for current and will automatically activate receptacle.
- Up-front activator switch always operates local load, does not require central control system.

### Faceplate Color Conversion

The frame and faceplate color of this device can be converted to match interior design requirements. Simply use one of the included color plates (white, ivory or light almond) and proceed as follows (please note that the device must be removed from the junction box to change the faceplate, follow the installation instructions and warnings).

1. Select the color of the face you desire.
2. The frame has snaps on its sides. Using a small screwdriver or thumbnail, gently remove the frame and faceplate from the housing body.
3. Take the new frame and position it properly to the housing body. Notice that the locking snaps will align in only the proper direction. Line up the plastic snaps with the slots in the housing body and snap into place.
4. The frame snaps in with an audible click. Ensure that both snaps are secure. Replace the device in the junction box following installation instructions. The color conversion is complete.

## Installation Data

**Wire Connector Installation**

Connect wires as follows:  
Screw wire connectors on clockwise making sure no bare conductors show below the wire connector  
Secure each connector with electrical tape.

Strip wires to expose 3/8" of conductors  
Insert wires straight then twist clockwise  
Secure each connector with electrical tape

For non-standard wiring applications, refer to Wire Combination & Connector Chart

Yellow Wire Connector Combination Chart			
1- #10AWG	1- #12 AWG	1- #14AWG	1- #16AWG
+	+	+	+
1 #12 AWG or 2 #14 AWG or 2 #16 AWG	1 to 2 #12 AWG or 1 to 3 #14 AWG or 1 to 4 #16 AWG	1 to 3 #14 AWG or 1 to 4 #16 AWG	1 to 4 #16 AWG

