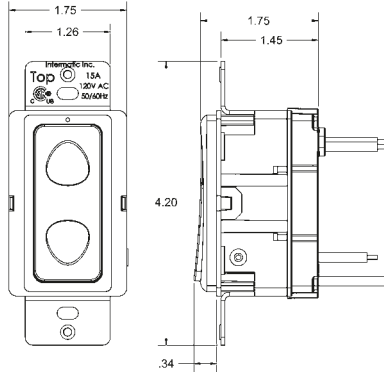


InTouch™ Wireless Controls

Model CA3000

Single Pole & Multi-Way Relay Type Wall Switch



The CA3000 Wall Switch is a Z-Wave™ enabled device which is fully compatible with any Z-wave enabled network. Z-Wave enabled devices display the Z-Wave logo and guarantee connectivity and interoperability between devices. Each line powered node in a Z-Wave network is designed to act as a repeater forming a mesh network eliminating radio “dead spots” and providing the highest level of reliability.

APPLICATIONS

- This wall mounted device features switching of lighting, motor or general purpose loads up to 15 Amps
- Single pole, 3-way wiring or 4-way wiring
- Routing slave capabilities for launching mini-scenes
- Includes interchangeable rocker plates

SPECIFICATIONS

Operating Temperature Range: 32°F (0°C) to 104°F (40°C) Power

Consumption: 2.0W Max

Ratings: 120VAC, 50/60Hz 1800 Watts 15A Tungsten; 1800 Watts 15A Resistive/Inductive; 1800VA 15A Ballast; 1/2HP Motor

Colors: Includes white, ivory, and light almond snap-on rocker plates

Connections: Black-Line, Blue-Load, Red-Traveler, White-Neutral, Green-Ground

RF INFORMATION

Minimum Range: 50ft indoor; 100ft outdoor
Frequency: 908.42 MHz

NETWORK INFORMATION

Mesh Network: Each line powered node acts as a repeater to route distant signals.

Data Rate: 9600 bits/second

Size: 232 Z-Wave Nodes

Features

- Multiple location On/Off when used with wireless accessory controls.
- Multiple location On/Off control using conventional 3-way or 4-way wiring and devices.
- Mini-scenes allows local control of connected load plus up to 5 additional Z-Wave enabled devices.
- Full 230 device scene control when used with Intermatic InTouch™ server (CA5500BR).
- Switch always operates local load, and does not require central control system.

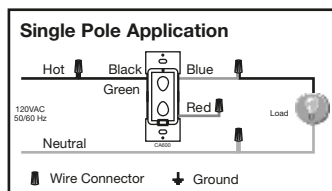
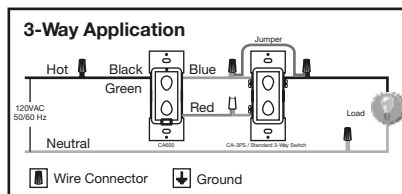
Rocker Color Conversion

The frame and rocker color of this device can be converted to match interior design requirements. Simply use one of the included color plates (white, ivory or light almond) and proceed as follows (please note that the device must be removed from the junction box to change the rocker, follow the installation instructions and warnings).

1. Select the color of the face you desire.
2. The frame has snaps on its sides. Using a small screwdriver or thumbnail, gently remove the frame and rocker from the housing body.
3. Take the new frame and position it properly to the housing body. Notice that the locking snaps will align in only the proper direction. Line up the plastic snaps with the slots in the housing body and snap into place.
4. The frame snaps in with an audible click. Ensure that both snaps are secure. Replace the device in the junction box following installation instructions. The color conversion is complete.



Installation Data



Wire Connector Installation

Connect wires per Single Pole, 3-W ay, or Multi-W ay Application Diagrams as follows:
Screw wire connectors on clockwise making sure no bare conductors show below the wire connector
Secure each connector with electrical tape.

Strip wires to expose 3/8" of conductors
Insert wires straight then twist clockwise
Secure each connector with electrical tape

For non-standard wiring applications, refer to Wire Combination & Connector Chart

Orange Wire Connector Combination Chart			
1- #10 AWG	1- #12 AWG	1- #14 AWG	1- #16 AWG
+	+	+	+
1 #12 AWG or 2 #14 AWG or 2 #16 AWG	1 to 2 #12 AWG or 1 to 3 #14 AWG or 1 to 4 #16 AWG	1 to 3 #14 AWG or 1 to 4 #16 AWG or 1 to 4 #18 AWG	1 to 4 #16 AWG or 1 to 4 #18 AWG

Maximum Load Per Dimmer for Multiple Devices			
Cat. No.	Single	Two Devices	Three or More
CA600	600 Watt	500 Watt	400 Watt

